

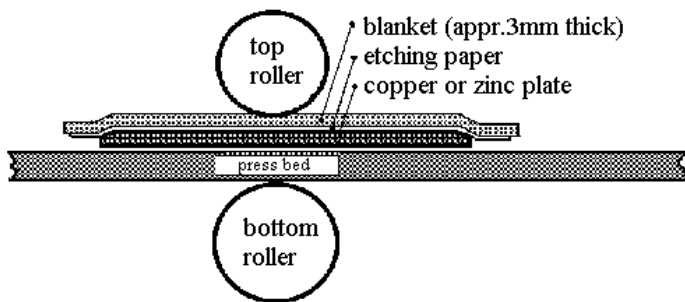
SETTING UP YOUR JM15

In the card board container you find the following items:

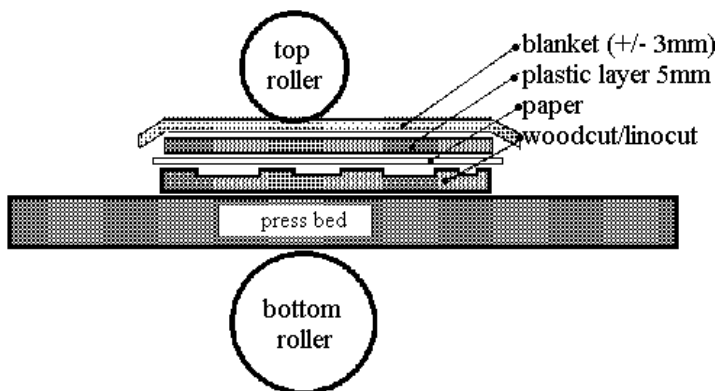
- etching press
- bed plate
- three spokes, packed in paper.
- four "hooks" to attach the press to a table.

The spokes have ends with screw thread. This allows you to screw the spokes into the hub. Fix them well by turning them firmly with the help of a screw driver. It is possible that both rollers are protected with paper and a brown plastic film. Please remove this carefully and take the grease of with cloth and solvent. The rollers must be clean and dry before usage.

FOR INTAGLIO



FOR RELIEF



MAINTENANCE

- The bearings of this do not need lubrication.
- All clean steel surfaces have been treated with a protective spray (Tectyl) to prevent rusting, with the exception of the rollers (felt would attract dust if in contact with this spray)
- It is recommended to use and store this press in a dry room, to prevent rusting (for example, etching with aggressive agents should be done in a different room, for the same reason)