

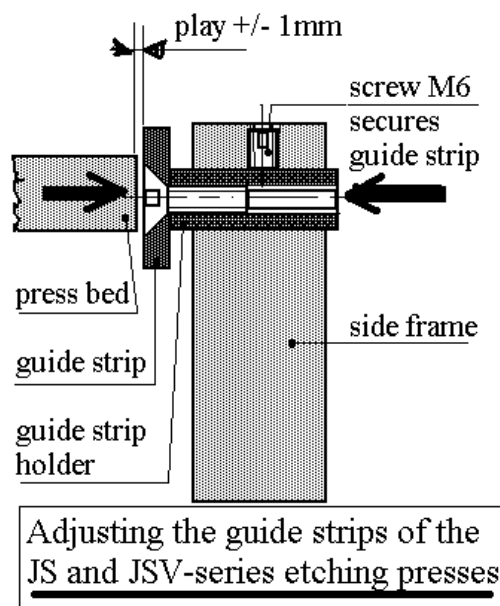
## Setting up your JS Series

Included;

- the etching press
- the bed plate
- the five spoked star wheel.
- Optional, the stand with or without casters.

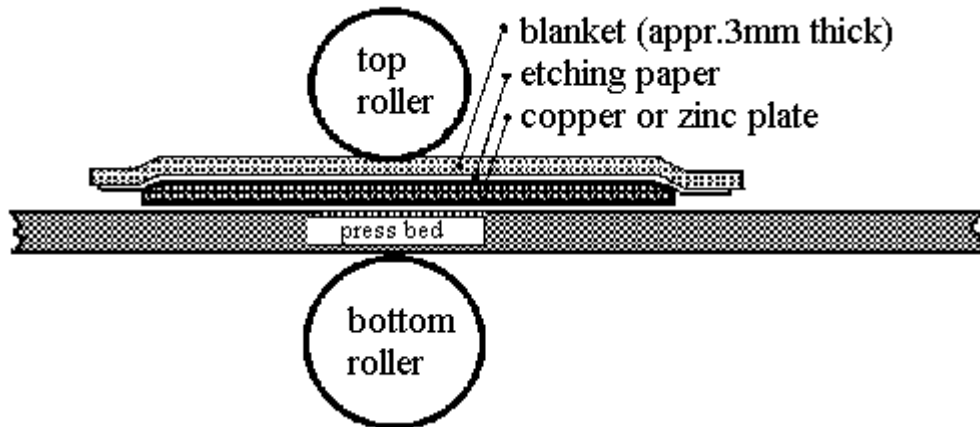
You should clean the rollers first. For safety reasons these rollers are packed with grease paper and plastic tape. Make a very small cut in the plastic tape which allows you to peel off this material. The rollers must be cleaned from grease with a solvent . The rollers must be clean and dry before use.

Put the bed in place. The bed fits between adjustable steel guides fixed to the side frames. The image below shows the guides in detail. The picture shows a cross-section of a side frame at the point where a guide strip holder is fixed in the side frame. In order to adjust the play between the guides and the bed, the guide strips must be moved. Just unscrew the small screws in the side frame (with a metric key) and readjust the position of the guide strips. You may use a small hammer to move the guide strips. After adjustment tighten the screws again.

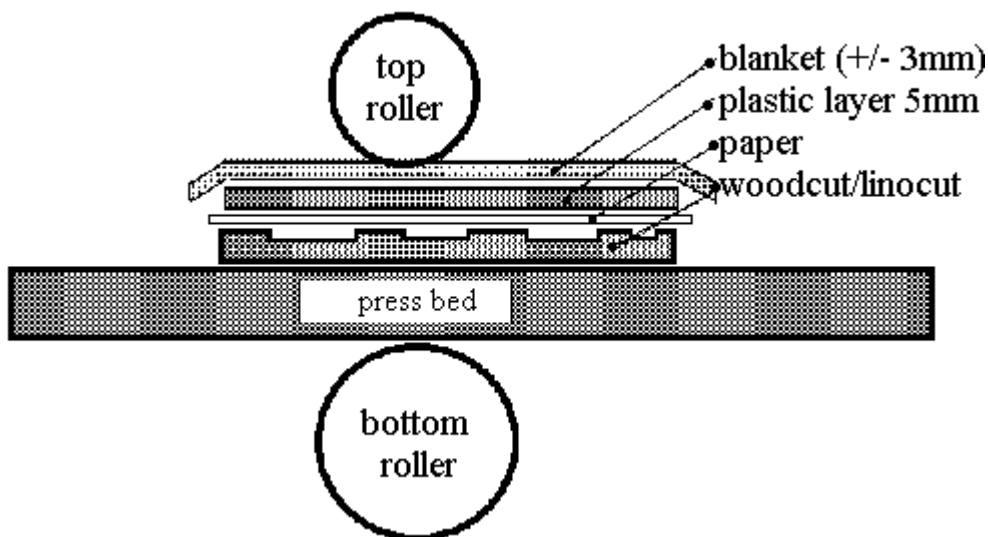


Take the tape off from the lower roller where the key is that connects the lower roller with the star wheel. Check if the key is still in place. Slide the star wheel over the shaft of the lower roller until the whole shaft is inside the hub of the star wheel. There is no problem if some force is needed to slide the wheel over the shaft. But never use a steel hammer directly on the hub to put it in place. Use a woodblock as a buffer between a steel hammer and the hub, or use a hammer made from softer material (wood or plastic) There is a small metric screw (m8) in the hub that has to be tightened now to secure the star wheel.

## Printing Intaglio with your JS Series (Etching, Engraving etc.)



## Printing Relief with your JS Series (Lino, Woodcut)



### Maintenance:

- The bearings of this do press not need lubrication. (all ball bearings)
- It is recommended to use and store this press in a dry room, to prevent rusting. (For example, etching with aggressive agents should be done in a different room, for the same reason)